

PRODUCT INFORMATION PACKET



Model No: 122411.00
Catalog No: 122411.00
HP Crop Dryer Motor, 1 phase, 3600 RPM, 230 V, 145TZ Frame, TEAO
Crop Dryer Motors



Regal and Leeson are trademarks of Regal Beloit Corporation or one of its affiliated companies.
©2019 Regal Beloit Corporation, All Rights Reserved. MC017097E





Nameplate Specifications

Output KW	2.2 kW	Frequency	60 Hz
Voltage	230 V	Current	11.8 A
Speed	3490 rpm	Service Factor	1
Phase	1	Efficiency	81.3 %
Power Factor	98.3	Duty	Continuous
Insulation Class	F	Design Code	No Design Code
KVA Code	H	Frame	145TZ
Enclosure	Totally Enclosed Air Over	Thermal Protection	No
Ambient Temperature	40 °C	Drive End Bearing Size	6205
Opp Drive End Bearing Size	6203	UL	Recognized
CSA	Y	CE	N
IP Code	43		

Technical Specifications

Electrical Type	Capacitor Start Capacitor Run	Starting Method	Across The Line
Poles	2	Rotation	Selective Counterclockwise
Resistance Main	0 Ohms	Mounting	Rigid base
Motor Orientation	Horizontal	Drive End Bearing	Ball
Opp Drive End Bearing	Ball	Frame Material	Rolled Steel
Shaft Type	Single Special Extension	Overall Length	14.46 in
Frame Length	9.66 in	Shaft Diameter	0.875 in
Shaft Extension	3.25 in	Assembly/Box Mounting	F1 Only

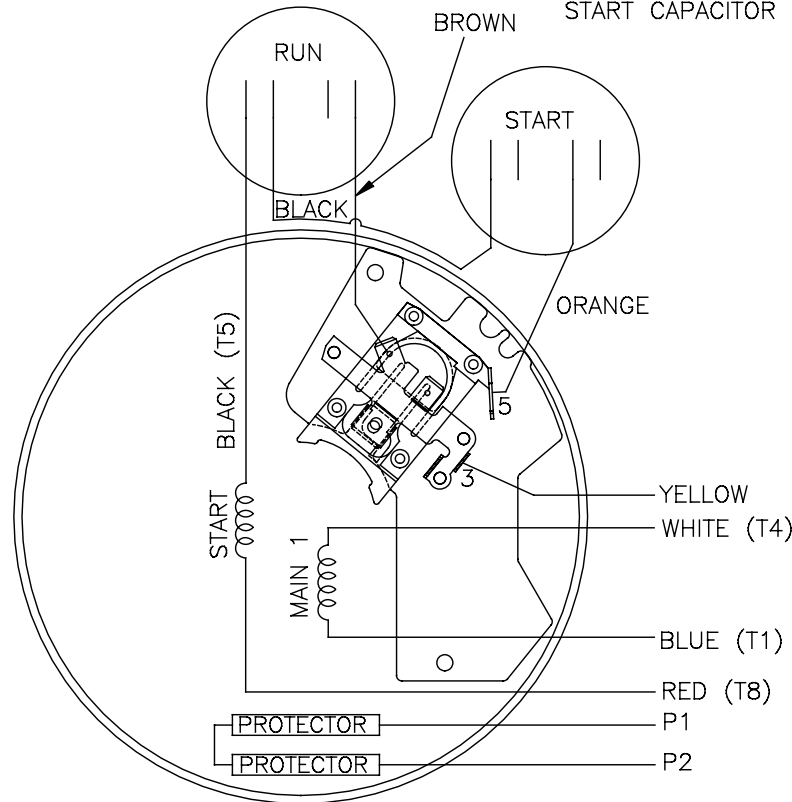
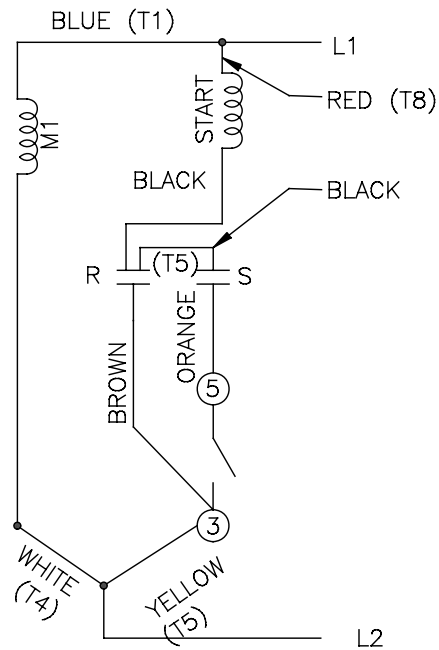
This is an uncontrolled document once printed or downloaded and is subject to change without notice. Date Created:01/11/2019

102006-150LE

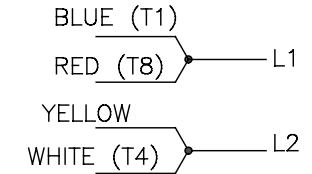
HIGH VOLTAGE:
CAPACITOR START CAPACITOR RUN
NO OVERLOAD SELECT ROTATION.

RUN CAPACITOR SILVER METAL CANISTER
START CAPACITOR BLACK PLASTIC PHENOLIC.

HIGH VOLTAGE. C.C.W.



HIGH VOLT. C.C.W. ROT.



FOR C.W. ROTATION
INTERCHANGE RED
(T8) AND YELLOW

				TOLERANCES UNLESS SPECIFIED		ELECTRIC MOTORS GEARMOTORS AND DRIVES	DRAWN VS 3/8/2012		
				DEC.	INCHES		CHK	APPD	
				.X	±.1	TITLE CONNECTION DIAGRAM	SCALE	2=1	
02	REMOVED "REMOTE MOUNTED RUN & START CAPACITOR"	SAJ	09/02/15	SKM	.XXX		±.005	REF	102006-57
01	ISAAC 12-2061 REVISED NOTATION CAPACITOR...	DWH	05/16/2012	DWH	.XXXX		±.0005	FMF	
NO.	REVISION	BY & DATE	CHK	ANG	±7'30"		FINISH	PREV	EXSPR112637
THIS DRAWING IN DESIGN AND DETAIL IS OUR PROPERTY AND MUST NOT BE USED EXCEPT IN CONNECTION WITH OUR WORK ALL RIGHTS OF DESIGN AND INVENTION ARE RESERVED THIS IS AN ELECTRONICALLY GENERATED DOCUMENT - DO NOT SCALE THIS PRINT				RFP	CAD FILE 102006-150LE		SIZE	DRAWING NO. PAGE 1 OF 1	REV.
				DIST	LB	A	102006-150LE	02	